

TOTAL  
ELECTRIC  
SOLUTIONS.



# PRODUCT GUIDE



# MEET THE NEW SOKIO VERTICAL

The Sokio Vertical panel heater takes everything the Sokio Horizontal has but compacts all those features into a vertical style to provide space-saving efficiency and extra flexibility in choice of location.

Designed with an aluminium plate face to provide soft, homogeneous heating that can quickly heat up the room. Combining a clean, asymmetric style makes this the perfect electric panel radiator for any modern setting.

Engineered to offer continuous home heating along with easy-to-use LCD digital controls to allow the user to switch between comfort and eco modes. The open/closed window functionality allows the electric panel heater to detect whether a window is open or closed in the room and automatically adjust its heat output to avoid energy wastage.



ErP Lot 20



Anti Frost Mode



Double Heating Elements



Open/Closed Window Detection



High Precision Electric Thermostat



LCD Digital Control Panel

See page 16 for more information.



# PANEL HEATERS

---

By utilising convection heating, electric panel heaters are great at warming up small rooms by heating up aluminium elements within the radiator.

Our panel heaters are a cost-effective way of heating homes or apartments by using 100% of the energy needed to quickly warm any space.

Panel heaters are best suited for small rooms like:

**Bedrooms | Guest Rooms**  
**Home Offices | Conservatories**



# F127

## PANEL HEATER

The F127 electric panel heater utilises convection heating to quickly warm any room and, with its simple cosmetic design, can fit into any home decor with ease.

Equipped with a range of features to make heating the home much easier, along with H-shaped vertical support to provide high-volume easy installations.



ErP Lot 20



Class II and  
IP24 Protection



Click & Go



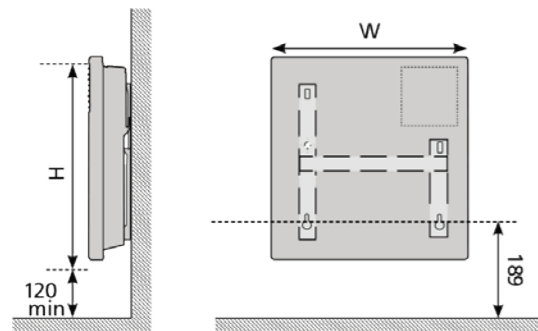
Open/Closed  
Window Detection



LCD Digital  
Control Panel



High Precision  
Electric Thermostat



OUTPUT (W)	DEPTH (MM)	WIDTH (MM)	HEIGHT (MM)	WEIGHT (KG)	MODEL
1000	102	370	453	3.8	640015
1500	102	370	453	3.8	640016
2000	102	447	453	4.2	640035







# AGILIA IO

PANEL HEATER

Designed with a simplistic and modern symmetrical style, the Agilia IO can work perfectly with any home decor design with complete ease.

Engineered to be slim and compact, the Agilia IO electric panel heater combines comfort, energy, and space-saving benefits into one complete elegant radiator.



ErP Lot 20



Cozytouch  
Compatible



Click & Go



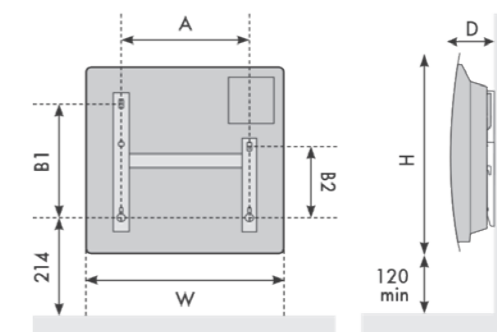
Double Heating  
Elements



45% Energy  
Savings



Open/Closed  
Window Detection



OUTPUT (W)	DEPTH (MM)	WIDTH (MM)	HEIGHT (MM)	A	B1	B2	WEIGHT (KG)	MODEL
500	129	372	530	120.8	246	158.5	5.5	640028
750	129	372	530	120.8	246	158.5	5.5	640029
1000	129	446	530	194.8	246	158.5	6	640030
1250	129	520	530	268.8	246	158.5	7.5	640031
1500	138	594	530	342.8	246	158.5	9	640032
2000	138	742	530	490.8	246	158.5	9	640033

\* When compared to an analogue electric radiator





# SOKIO HORIZONTAL

PANEL HEATER

The Sokio electric panel heater combines clean, asymmetric styling with aluminium plate technology, offering you soft, homogeneous heat.

Equipped with an LCD digital control panel and a high-precision electric thermostat, along with a programmable mode provides the user with full control and flexibility over their home heating.



ErP Lot 20



Anti Frost Mode



Double Heating Elements



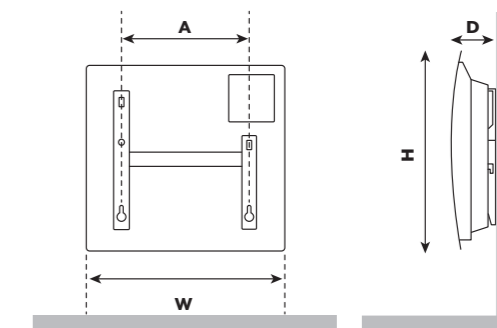
Open/Closed Window Detection



High Precision Electric Thermostat



LCD Digital Control Panel



OUTPUT (W)	DEPTH (MM)	WIDTH (MM)	HEIGHT (MM)	A (MM)	WEIGHT (KG)	MODEL
750	150	601	477	345	8.5	640042
1000	150	601	477	345	8.5	640043
1250	150	823	477	565	10.1	640044
1500	150	823	477	565	10.1	640045
2000	150	1045	477	787	13.1	640046



# SOKIO VERTICAL

PANEL HEATER

Designed with an aluminum plate face offering even heat distribution to quickly heat up the room. The Sokio Vertical combines clean, asymmetric styling with a simplistic design to work perfectly in any modern home or establishment.



ErP Lot 20



Anti Frost Mode



Double Heating Element



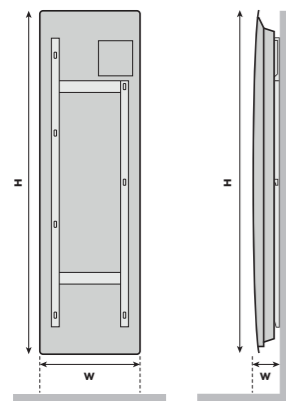
Open/Closed Window Detection



High Precision Electric Thermostat



LCD Digital Control Panel



OUTPUT (W)	WIDTH (MM)	HEIGHT (MM)	DEPTH (MM)	WEIGHT (KG)	MODEL
1000	450	1350	135	12	640062
1500	450	1350	135	12	640063
2000	450	1575	135	15.5	640064





# FLUID FILLED RADIATORS

---

Our fluid-filled electric radiators (also known as oil-filled electric radiators) feature built-in encased heating elements that are submerged in specially formulated heating fluid to provide incredible heat-up times.

All of our radiators are made from high-grade aluminium, which quickly heats up the room while providing a sleek and modern style, they are an excellent choice for anyone looking to improve their home's comfort and appearance.

Fluid-filled electric radiators are best suited for:

[Living room](#) | [Kitchens](#) | [Bedrooms](#)  
[Hallways](#) | [Dining Rooms](#)



# ACCESSIO

ELECTRIC THERMOFLUID RADIATOR

The Accessio is an easy to use electric, heat conducting fluid-filled radiator that delivers consistent long-lasting heat as a result of integral thermofluid technology. Not only that, user friendly digital controls and an electronic thermostat can help homeowners achieve energy savings of up to 25% versus conventional electric heating solutions.



ErP Lot 20



25% Energy Savings



Thermofluid Technology



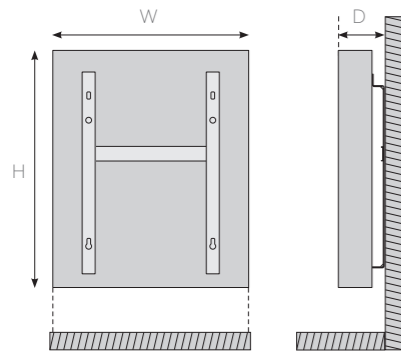
Open/Closed Window Detection



Anti-Stain Protection



High Precision Electric Thermostat



OUTPUT (W)	DEPTH (MM)	WIDTH (MM)	HEIGHT (MM)	WEIGHT (KG)	MODEL
300	127	410	575	8.5	640017
500	127	410	575	8.5	640008
750	127	490	575	99	640009
1000	127	490	575	99	640011
1250	127	651	575	13.2	640047
1500	127	732	575	14.8	640011
2000	127	973	575	19.7	640012

\*When compared to an analogue electric radiator







# GALAPAGOS HORIZONTAL

ELECTRIC THERMOFLUID RADIATOR

The Galapagos Horizontal is a stylish and modern fluid-filled electric radiator. Its smooth, curved horizontal aluminium panels distribute heat evenly across its entire surface for fast heating times, making it both efficient and effective.



ErP Lot 20



Cozytouch Compatible



Thermofluid Technology



Open/Closed Window Detection

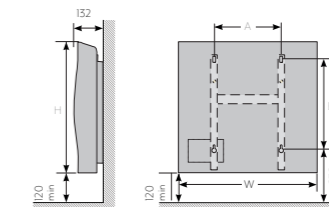


Class II and IP24 Protection

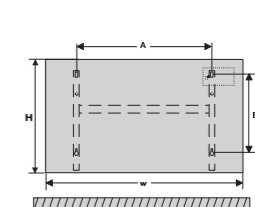


High Precision Electric Thermostat

## HORIZONTAL



## LOW HEIGHT



HORIZONTAL								
OUTPUT (W)	DEPTH (MM)	WIDTH (MM)	HEIGHT (MM)	WEIGHT (KG)	A	B	WHITE MODEL	GREYSTAR MODEL
750	130	670	590	12.4	300	354	640001	640005
1000	130	770	590	14.4	400	354	640002	640006
1250	130	970	590	18.4	600	354	640019	640020
1500	130	1070	590	20.4	700	354	640003	640007
2000	130	1370	590	26.4	800	354	640004	640021
LOW HEIGHT								
OUTPUT (W)	DEPTH (MM)	WIDTH (MM)	HEIGHT (MM)	WEIGHT (KG)	A	B	WHITE MODEL	GREYSTAR MODEL
700	133	771	388	11	400	158	640053	640056
1000	133	971	388	15	600	158	640054	640057
1400	133	1371	388	21	800	158	640055	640058



# GALAPAGOS VERTICAL

ELECTRIC THERMOFLUID RADIATOR

Designed to be modern, stylish, and elegant, the Galapagos features smart control functionality and offers up to 45% energy savings through its Cozytouch functionality and open/closed window detection. With its advanced heating capabilities and energy-efficient design, it is the perfect addition to any home looks to enhance both its comfort and style.



ErP Lot 20



Cozytouch Compatible



Thermofluid Technology



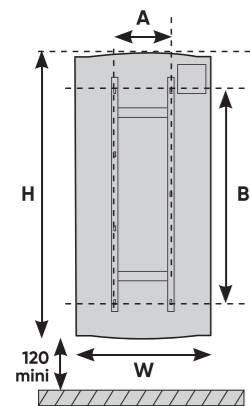
Open/Closed Window Detection



Class II and IP24 Protection



High Precision Electric Thermostat



OUTPUT (W)	DEPTH (MM)	WIDTH (MM)	HEIGHT (MM)	WEIGHT (KG)	A	B	WHITE MODEL	GREYSTAR MODEL
1000	133	460	1290	24	320	1021	640036	640056
1500	133	460	1590	29	320	1321	640037	640057
1800	133	460	1800	33	320	1521	640038	640058





# CONTROL SYSTEMS

---

Our control system appliances provide connectivity to all compatible electric heating systems in the house. The end-user can control their home heating system from their smartphone or tablet, as well as access real-time monitoring of energy consumption, absence detection, and open window detection.



# COZYTOUCH

CONTROL SYSTEM

Cozytouch is a home heating control device that offers connectivity to all compatible electric heating systems in the house. Offering simplicity and ease to the user, the Cozytouch offers the user the ability to control their heating applicable remotely whilst providing real time monitoring capabilities, energy consumption, absence and open window detection.



Compact Design



Versatile Design



Wireless Control



Real Time Monitoring Capabilities



Temperature Room Zone Control



Savings Report Overview

LENGTH (MM)	WIDTH (MM)	DEPTH (MM)	WEIGHT (G)	MODEL
172	72	16	133	640065

COMPATIBLE PRODUCTS		
AGILIA IO	ONIRIS	GALAPAGOS
		





# COZYTOUCH: INTELLIGENT PROGRAMMING

Our range of Cozytouch compatible electric heating appliances features built-in motion sensor technology on the front of each unit. This allows the electric radiator to detect whether someone is in the room and automatically adjust itself to the ideal temperature. If the system detects no movement within the room, the electric heating appliance will automatically lower its temperature output to an economy setting, reducing energy consumption and running costs. Setting up the Cozytouch system is simple, with no complicated programming required. During the first week of operation, the Cozytouch electric radiator scans and monitors the room to detect patterns of usage and builds an intelligent daily schedule based on these patterns.

This means that each room (or zone) is warmed up before it becomes occupied, providing comfort and luxury with ease. The Cozytouch smart system repeats its automatic daily and weekly scans to continuously adapt to the user's lifestyle. In addition to this, Cozytouch also provides the user with real-time monitoring capabilities and full control over their heating. The user can remotely control each appliance individually within the property, making it easy to adjust heating settings and reduce energy usage.



# IMPROVING YOUR EPC AND ENERGY SAVINGS

## Lighting

LED bulbs are a highly energy efficient way to light a room using up to 90% less energy and lasting up to 25 times longer when compared to incandescent or halogen bulbs. Using LED bulbs can add a positive impact to your EPC rating and potentially save you up to £232 a year.<sup>1</sup>

## Loft Insulation

Improving your loft and home insulation is one of the best things to do to help reduce heat loss and improve your EPC rating. Adding 270mm of insulation to your loft and home will help improve heat retention within the property and can help save up to £395 a year.<sup>2</sup>

## Double Glazing

Upgrade your windows to double glazing can help improve your properties' energy performance and help reduce noise. Installing double glazing can reduce heat loss by 54% and could save up to £235 a year.<sup>3</sup>

## Chimney Capping

Did you know 60% of UK houses were built in the 1960's with chimneys? Chimney's waste up to 90% of the home heat due to emitting the heat through the chimney into the open environment. Capping the chimney is a quick and simple solution to increase the properties heat retention and help provide cost savings as well as improve your EPC rating.<sup>4</sup>

<sup>1</sup> Information source: energy.gov, evergreenenergy.co.uk and which.co.uk  
<sup>2</sup> Information source: evergreenenergy.co.uk  
<sup>3</sup> Information source: energysavingtrust.co.uk  
<sup>4</sup> Information source: chimella.com





**CENTRAL HEATING ELECTRIC DUAL FUEL INFRARED**

**[WWW.TOWELRADS.COM](http://WWW.TOWELRADS.COM)**

Towelrads.com Ltd, Queensgate House, Cookham Road, Bracknell, Berkshire RG12 1RB

■ Telephone: 01628 625 367 ■ Fax: 01628 659 52