

TOWELRADS DIVA DRY ELECTRIC



A stylish, straight front ladder rail combines simplicity of design with stunning finishes that will create a focal feature in any room. The Diva rail is made of stainless steel and comes with a 2 year electrical component guarantee, giving you piece of mind in the quality of your newest addition.

Tested to BS EN 442 standards.

Available in heights of 800, 1200 & 1500mm.

IP44 Rated.

Tested to BS EN 442 standards.



Electrical
Component
Guarantee



1-2 Day Delivery



Available in seven different finishes: Brushed Brass, Polished Black Chrome, Rose Gold, Brushed Stainless Steel, Polished Stainless Steel, Polished Brass, Brushed Black Chrome

FEATURES AND BENEFITS

- Comes in seven beautiful finishes to fit in with whatever style you choose for your bathroom.
- Smaller size version available to fit into a limited space.
- Ideal for wet rooms.

DIVA BRUSHED BRASS

| Height | Length | Product | Watts | BTU |
|--------|--------|---------|-------|-----|
| 800 | 500 | 231001 | 70 | 239 |
| 1200 | | 231002 | 95 | 324 |
| 1500 | | 231003 | 120 | 409 |

DIVA POLISHED BLACK CHROME

| Height | Length | Product | Watts | BTU |
|--------|--------|---------|-------|-----|
| 800 | 500 | 231004 | 70 | 239 |
| 1200 | | 231005 | 95 | 324 |
| 1500 | | 231006 | 120 | 409 |

DIVA ROSE GOLD

| Height | Length | Product | Watts | BTU |
|--------|--------|---------|-------|-----|
| 800 | 500 | 231007 | 70 | 239 |
| 1200 | | 231008 | 95 | 324 |
| 1500 | | 231009 | 120 | 409 |

DIVA BRUSHED STAINLESS STEEL

| Height | Length | Product | Watts | BTU |
|--------|--------|---------|-------|-----|
| 800 | 500 | 231010 | 70 | 239 |
| 1200 | | 231011 | 95 | 324 |
| 1500 | | 231012 | 120 | 409 |

DIVA POLISHED STAINLESS STEEL

| Height | Length | Product | Watts | BTU |
|--------|--------|---------|-------|-----|
| 800 | 500 | 231013 | 70 | 239 |
| 1200 | | 231014 | 95 | 324 |
| 1500 | | 231015 | 120 | 409 |

DIVA POLISHED BRASS

| Height | Length | Product | Watts | BTU |
|--------|--------|---------|-------|-----|
| 800 | 500 | 231016 | 70 | 239 |
| 1200 | | 231017 | 95 | 324 |
| 1500 | | 231018 | 120 | 409 |

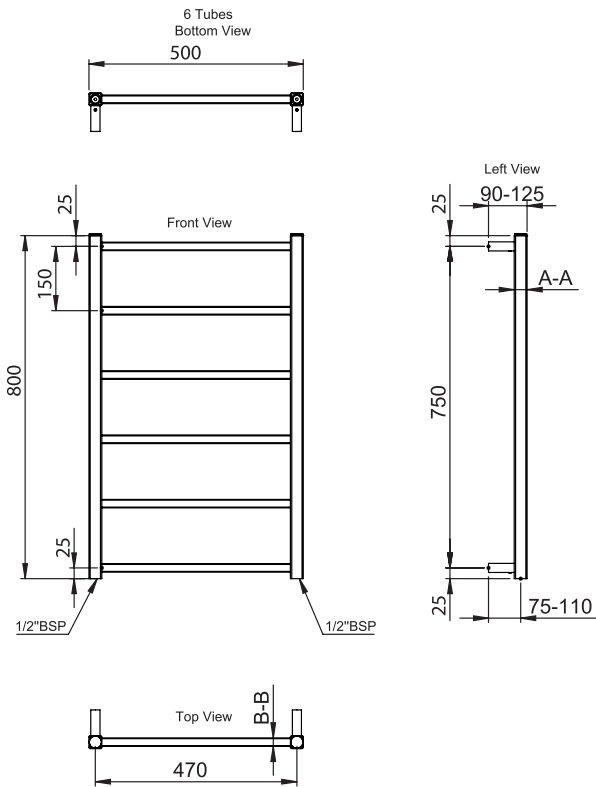
DIVA BLACK CHROME

| Height | Length | Product | Watts | BTU |
|--------|--------|---------|-------|-----|
| 800 | 500 | 231019 | 70 | 239 |
| 1200 | | 231020 | 95 | 324 |
| 1500 | | 231021 | 120 | 409 |

TECHNICAL DIAGRAMS

DIVA DRY ELECTRIC

800 X 500MM



1200/1500 X 500MM

