

TOWELRADS FLAT LINED PANEL RANGE



Heights available
up to 900mm,
lengths up to 3000mm.

Type 11, Type 21, Type 22
& Type 33 also available.

Max Working Pressure: 10 bar

Max Working Temp: 110 degrees C



Manufacturers
Warranty



Available in White RAL 9016 as standard.
Other RAL options available on request.



FEATURES AND BENEFITS

- Withstands external corrosion for twice as long as standard finishes.
- Alternative sizes available in Type 11, Type 21, Type 22 and Type 33.
- Steel radiator finished in white (RAL 9016).
- Other RAL Options available.

FLAT LINED PANEL - T11 SINGLE

Height	Length	Product Code	Weight KG	Water Content	Output at ΔT_{30k}		Output at ΔT_{50k}	
					Watts	BTU	Watts	BTU
300	400	610291	27.5	0.6	97	330	182	621
	600	610292	30.9	0.9	146	497	272	931
	800	610293	27.5	1.2	195	665	363	1242
	1000	610294	30.9	1.5	244	832	454	1552
	1200	610295	27.5	1.8	293	999	545	1863
	1400	610296	30.9	2.1	342	1166	636	2173
	1600	610297	27.5	2.4	391	1333	727	2484
	1800	610298	30.9	2.7	439	1497	818	2794
500	2000	610299	34.1	3.0	488	1664	909	3105
	400	610300	8.3	1.0	146	497	273	932
	600	610301	11.5	1.5	218	745	410	1,398
	800	610302	14.7	2.0	291	993	547	1,864
	1000	610303	17.9	2.5	364	1,241	683	2,330
	1200	610304	21.1	3.0	437	1,490	820	2,795
	1400	610305	24.3	3.5	510	1,738	956	3,261
	1600	610306	27.5	4.0	582	1,986	1093	3,727
600	1800	610307	30.9	4.5	655	2,234	1230	4,193
	2000	610308	34.1	5.0	728	2,483	1366	4,659
	400	610309	9.7	1.2	166	567	314	1,070
	600	610310	13.7	1.8	249	850	470	1,604
	800	610311	17.6	2.4	332	1,133	627	2,139
	1000	610312	21.6	3.0	415	1,416	784	2,674
	1200	610313	25.5	3.6	499	1,700	941	3,209
	1400	610314	29.4	4.2	582	1,983	1098	3,744
	1600	610315	33.4	4.8	665	2,266	1255	4,278
	1800	610316	37.6	5.4	748	2,549	1411	4,813
	2000	610317	41.5	6.0	831	2,833	1568	5,348

FLAT LINED PANEL - T22 DOUBLE

Height	Length	Product Code	Weight KG	Water Content	Output at ΔT_{30k}		Output at ΔT_{50k}	
					Watts	BTU	Watts	BTU
300	500	610318	9.6	1.5	237	809	451	1,537
	1000	610319	17.8	3.0	474	1,617	901	3,074
	1400	610320	27.6	4.8	759	2,588	1261	4,919
	2000	610321	34.3	6.0	949	3,235	1803	6,149
400	500	610322	13.0	2.0	324	1,019	569	1,942
	600	610323	15.2	2.4	358	1,223	683	2,331
	800	610324	19.7	3.2	478	1,631	940	3,108
	1000	610325	24.0	4.0	598	2,039	1,139	3,885
	1200	610326	28.4	4.8	717	2,446	1,366	4,662
	1400	610327	32.8	5.6	836	2,854	1,595	5,439
	1600	610328	37.2	6.4	956	3,262	1,822	6,216
	1800	610329	41.8	7.2	1076	3,670	2,050	6,993
500	2000	610330	46.2	8.0	1195	4,077	2,277	7,770
	400	610331	13.3	2.0	286	975	546	1,863
	600	610332	18.7	3.0	429	1,463	820	2,795
	800	610333	24.3	4.0	572	1,950	1093	3,726
	1000	610334	29.8	5.0	715	2,438	1366	4,658
	1200	610335	35.2	6.0	858	2,926	1639	5,589
	1400	610336	43.4	7.0	1001	3,413	1912	6,521
	1600	610337	46.2	8.0	1144	3,901	2185	7,452
	1800	610338	51.9	9.0	1287	4,389	2459	8,384
	2000	610339	57.5	10.0	1430	4,876	2732	9,315

FLAT LINED PANEL - T22 DOUBLE

Height	Length	Product Code	Weight KG	Water Content	Output at ΔT_{30k}		Output at ΔT_{50k}	
					Watts	BTU	Watts	BTU
600	400	610340	15.6	2.4	331	1,128	634	2,161
	600	610341	22.3	3.6	496	1,692	950	3,241
	800	610342	29.0	4.8	662	2,256	1267	4,321
	1000	610343	35.6	6.0	827	2,820	1584	5,402
	1200	610344	42.3	7.2	992	3,384	1901	6,482
	1400	610345	48.9	8.4	1158	3,948	2218	7,562
	1600	610346	55.7	9.6	1323	4,512	2534	8,642
	1800	610347	62.6	10.8	1489	5,077	2851	9,723
700	2000	610348	69.3	12.0	1654	5,641	3168	10,803
	500	610349	22.7	3.3	467	1489	897	3,061
	600	610350	26.7	3.9	561	1,911	1,076	3,673
	800	610351	34.7	5.3	746	2,547	1,436	4,898
	1000	610352	42.7	6.7	933	3,184	1,794	6,122
	1200	610353	50.7	8.1	1120	3,821	2,153	7,346
	1400	610354	58.6	9.5	1307	4,458	2,512	8,571
	1600	610355	66.7	10.8	1493	5,095	2,871	9,795
700	1800	610356	75.0	12.2	1680	5,732	3,230	11,020
	2000	610357	83.1	13.6	1867	6,369	3,589	12,244

VERTICAL FLAT PANEL RANGE

FLAT LINED PANEL - P10

Height	Length	Product Code	Weight KG	Water Content	Output at ΔT_{30k}		Output at ΔT_{50k}	
					Watts	BTU	Watts	BTU
1600	400	600150		3.7	265	906	509	1,737
1800		600151	22.3	4.2	299	1,019	573	1,955
2000		600152	24.8	4.6	332	1,132	636	2,172
2200		600153	27.3	5.1	365	1,245	700	2,389
1600	500	600154	23.3	4.6	318	1,084	608	2,075
1800		600155	26.2	5.1	357	1,219	684	2,335
2000		600156	29.1	5.7	397	1,355	760	2,594
2200		600157	32.0	6.3	437	1,490	836	2,854
1600	600	600158	25.3	5.4	370	1,263	707	2,414
1800		600159	28.5	6.1	416	1,421	796	2,715
2000		600160	31.6	6.8	463	1,579	884	3,017
2200		600161	34.8	7.5	509	1,737	973	3,319

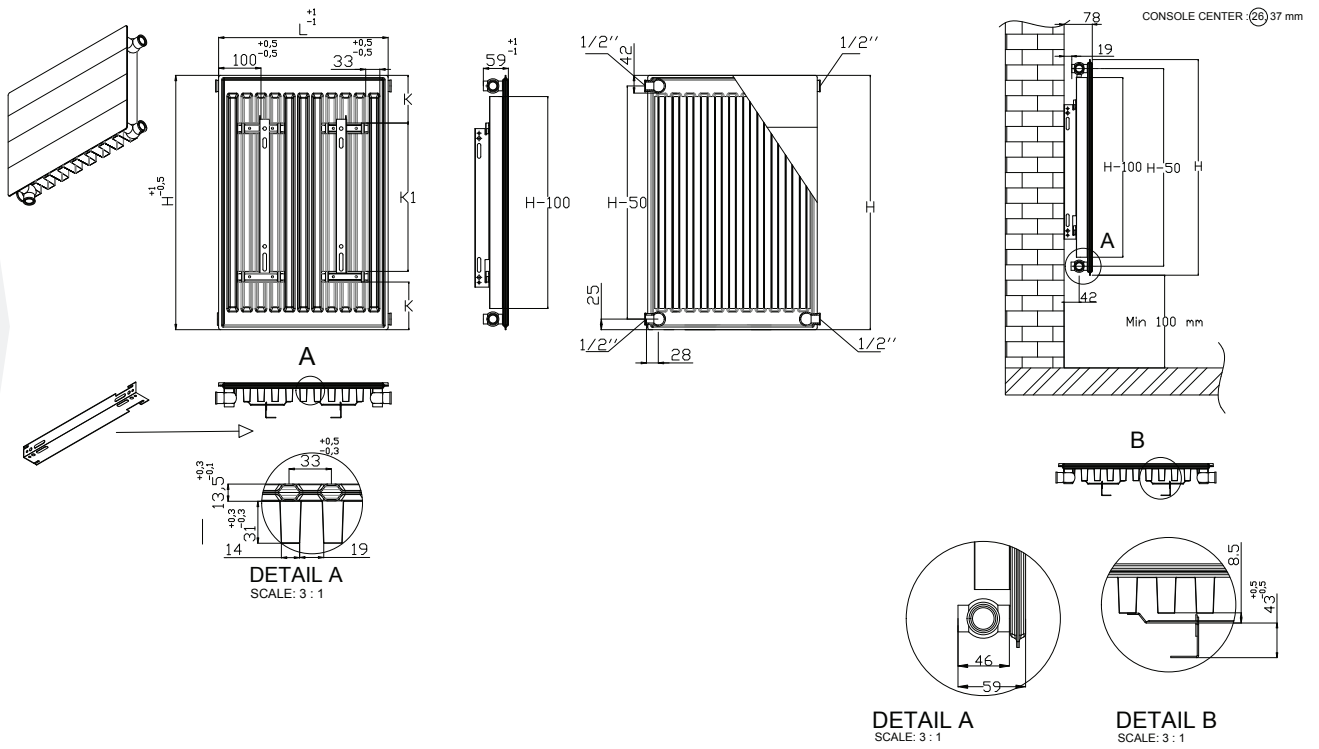
FLAT LINED PANEL - P20

Height	Length	Product Code	Weight KG	Water Content	Output at ΔT_{30k}		Output at ΔT_{50k}	
					Watts	BTU	Watts	BTU
1600	400	600162	30.7	7.7	460	1,571	885	3,020
1800		600163	34.5	8.6	518	1,767	996	3,398
2000		600164	38.4	9.6	575	1,963	1,106	3,775
2200		600165	42.2	10.5	633	2,160	1,217	4,153
1600	500	600166	45.2	9.3	552	1,883	1,061	3,621
1800		600167	50.9	10.4	621	2,118	1,194	4,074
2000		600168	56.5	11.6	690	2,354	1,327	4,526
2200		600169	62.1	12.7	759	2,589	1,459	4,979
1600	600	600170	47.9	10.7	640	2,183	1,230	4,197
1800		600171	53.9	12.1	720	2,455	1,384	4,722
2000		600172	59.9	13.4	800	2,728	1,538	5,246
2200		600173	65.8	14.7	880	3,001	1,691	5,771

TECHNICAL DIAGRAMS

FLAT PANEL COLLECTION

TYPE 11



TYPE 22

