

TOWELRADS FLAT LINED PANEL RANGE



Heights available
up to 900mm,
lengths up to 3000mm.

Type 11, Type 21, Type 22
& Type 33 also available.

Max Working Pressure: 10 bar

Max Working Temp: 110 degrees C



Manufacturers
Warranty



Available in White RAL 9016 as standard.
Other RAL options available on request.



FEATURES AND BENEFITS

- Withstands external corrosion for twice as long as a standard finishes.
- Alternative sizes available in Type 11, Type 21, Type 22 and Type 33.
- Steel radiator finished in white (RAL 9016).
- Other RAL Options available.

FLAT LINED PANEL - T11 SINGLE

Height	Length	Product Code	Weight KG	Water Content	Output at ΔT_{30k}		Output at ΔT_{50k}	
					Watts	BTU	Watts	BTU
300	400	610191	27.5	0.6	97	330	182	621
	600	610192	30.9	0.9	146	497	272	931
	800	610193	27.5	1.2	195	665	363	1242
	1000	610194	30.9	1.5	244	832	454	1552
	1200	610195	27.5	1.8	293	999	545	1863
	1400	610196	30.9	2.1	342	1166	636	2173
	1600	610197	27.5	2.4	391	1333	727	2484
	1800	610198	30.9	2.7	439	1497	818	2794
500	2000	610199	34.1	3.0	488	1664	909	3105
	400	610200	8.3	1.0	146	497	273	932
	600	610201	11.5	1.5	218	745	410	1,398
	800	610202	14.7	2.0	291	993	547	1,864
	1000	610203	17.9	2.5	364	1,241	683	2,330
	1200	610204	21.1	3.0	437	1,490	820	2,795
	1400	610205	24.3	3.5	510	1,738	956	3,261
	1600	610206	27.5	4.0	582	1,986	1093	3,727
600	1800	610207	30.9	4.5	655	2,234	1230	4,193
	2000	610208	34.1	5.0	728	2,483	1366	4,659
	400	610209	9.7	1.2	166	567	314	1,070
	600	610210	13.7	1.8	249	850	470	1,604
	800	610211	17.6	2.4	332	1,133	627	2,139
	1000	610212	21.6	3.0	415	1,416	784	2,674
	1200	610213	25.5	3.6	499	1,700	941	3,209
	1400	610214	29.4	4.2	582	1,983	1098	3,744
	1600	610215	33.4	4.8	665	2,266	1255	4,278
	1800	610216	37.6	5.4	748	2,549	1411	4,813
	2000	610217	41.5	6.0	831	2,833	1568	5,348

FLAT LINED PANEL - T22 DOUBLE

Height	Length	Product Code	Weight KG	Water Content	Output at ΔT_{30k}		Output at ΔT_{50k}	
					Watts	BTU	Watts	BTU
300	500	610218	9.6	1.5	237	809	451	1,537
	1000	610219	17.8	3.0	474	1,617	901	3,074
	1400	610220	27.6	4.8	759	2,588	1261	4,919
	2000	610221	34.3	6.0	949	3,235	1803	6,149
400	500	610222	13.0	2.0	324	1,019	569	1,942
	600	610223	15.2	2.4	358	1,223	683	2,331
	800	610224	19.7	3.2	478	1,631	940	3,108
	1000	610225	24.0	4.0	598	2,039	1,139	3,885
	1200	610226	28.4	4.8	717	2,446	1,366	4,662
	1400	610227	32.8	5.6	836	2,854	1,595	5,439
	1600	610228	37.2	6.4	956	3,262	1,822	6,216
	1800	610229	41.8	7.2	1076	3,670	2,050	6,993
500	2000	610230	46.2	8.0	1195	4,077	2,277	7,770
	400	610231	13.3	2.0	286	975	546	1,863
	600	610232	18.7	3.0	429	1,463	820	2,795
	800	610233	24.3	4.0	572	1,950	1093	3,726
	1000	610234	29.8	5.0	715	2,438	1366	4,658
	1200	610235	35.2	6.0	858	2,926	1639	5,589
	1400	610236	43.4	7.0	1001	3,413	1912	6,521
	1600	610237	46.2	8.0	1144	3,901	2185	7,452
	1800	610238	51.9	9.0	1287	4,389	2459	8,384
	2000	610239	57.5	10.0	1430	4,876	2732	9,315

FLAT LINED PANEL - T22 DOUBLE

Height	Length	Product Code	Weight KG	Water Content	Output at ΔT_{30k}		Output at ΔT_{50k}	
					Watts	BTU	Watts	BTU
600	400	610240	15.6	2.4	331	1,128	634	2,161
	600	610241	22.3	3.6	496	1,692	950	3,241
	800	610242	29.0	4.8	662	2,256	1267	4,321
	1000	610243	35.6	6.0	827	2,820	1584	5,402
	1200	610244	42.3	7.2	992	3,384	1901	6,482
	1400	610245	48.9	8.4	1158	3,948	2218	7,562
	1600	610246	55.7	9.6	1323	4,512	2534	8,642
	1800	610247	62.6	10.8	1489	5,077	2851	9,723
700	2000	610248	69.3	12.0	1654	5,641	3168	10,803
	500	610249	22.7	3.3	467	1489	897	3,061
	600	610250	26.7	3.9	561	1,911	1,076	3,673
	800	610251	34.7	5.3	746	2,547	1,436	4,898
	1000	610252	42.7	6.7	933	3,184	1,794	6,122
	1200	610253	50.7	8.1	1120	3,821	2,153	7,346
	1400	610254	58.6	9.5	1307	4,458	2,512	8,571
	1600	610255	66.7	10.8	1493	5,095	2,871	9,795
2000	1800	610256	75.0	12.2	1680	5,732	3,230	11,020
	2000	610257	83.1	13.6	1867	6,369	3,589	12,244

VERTICAL FLAT PANEL RANGE

FLAT LINED PANEL - P10

Height	Length	Product Code	Weight KG	Water Content	Output at ΔT_{30k}		Output at ΔT_{50k}	
					Watts	BTU	Watts	BTU
1600	400	600150		3.7	265	906	509	1,737
1800		600151	22.3	4.2	299	1,019	573	1,955
2000		600152	24.8	4.6	332	1,132	636	2,172
2200		600153	27.3	5.1	365	1,245	700	2,389
1600	500	600154	23.3	4.6	318	1,084	608	2,075
1800		600155	26.2	5.1	357	1,219	684	2,335
2000		600156	29.1	5.7	397	1,355	760	2,594
2200		600157	32.0	6.3	437	1,490	836	2,854
1600	600	600158	25.3	5.4	370	1,263	707	2,414
1800		600159	28.5	6.1	416	1,421	796	2,715
2000		600160	31.6	6.8	463	1,579	884	3,017
2200		600161	34.8	7.5	509	1,737	973	3,319

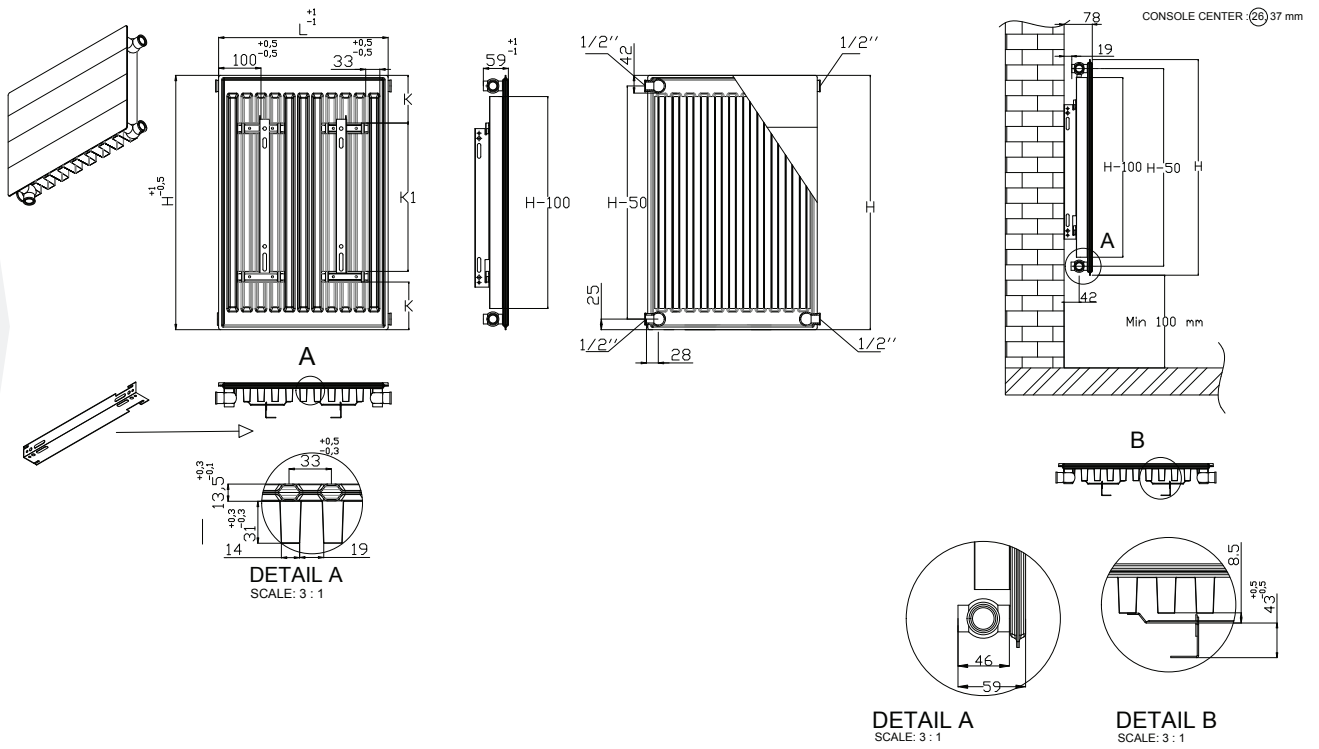
FLAT LINED PANEL - P20

Height	Length	Product Code	Weight KG	Water Content	Output at ΔT_{30k}		Output at ΔT_{50k}	
					Watts	BTU	Watts	BTU
1600	400	600162	30.7	7.7	460	1,571	885	3,020
1800		600163	34.5	8.6	518	1,767	996	3,398
2000		600164	38.4	9.6	575	1,963	1,106	3,775
2200		600165	42.2	10.5	633	2,160	1,217	4,153
1600	500	600166	45.2	9.3	552	1,883	1,061	3,621
1800		600167	50.9	10.4	621	2,118	1,194	4,074
2000		600168	56.5	11.6	690	2,354	1,327	4,526
2200		600169	62.1	12.7	759	2,589	1,459	4,979
1600	600	600170	47.9	10.7	640	2,183	1,230	4,197
1800		600171	53.9	12.1	720	2,455	1,384	4,722
2000		600172	59.9	13.4	800	2,728	1,538	5,246
2200		600173	65.8	14.7	880	3,001	1,691	5,771

TECHNICAL DIAGRAMS

FLAT PANEL COLLECTION

TYPE 11



TYPE 22

