

TOWELRADS FLAT PANEL RANGE



Heights available
up to 900mm,
lengths up to 3000mm.

Type 11, Type 21, Type 22
& Type 33 also available.

Max Working Pressure: 10 bar

Max Working Temp: 110 degrees C



Manufacturers
Warranty



Available in White RAL 9016 as standard.
Other RAL options available on request.



FEATURES AND BENEFITS

- Withstands external corrosion for twice as long as standard finishes.
- Alternative sizes available in Type 11, Type 21, Type 22 and Type 33.
- Steel radiator finished in white (RAL 9016).
- Other RAL Options available.

FLAT PANEL - T11 SINGLE

Height	Length	Product Code	Weight KG	Water Content	Output at ΔT_{30k}		Output at ΔT_{50k}	
					Watts	BTU	Watts	BTU
500	400	610200	8.3	1.0	497	146	932	273
	600	610201	11.5	1.5	745	218	1,398	410
	800	610202	14.7	2.0	993	291	1,864	547
	1000	610203	17.9	2.5	1,241	364	2,330	683
	1200	610204	21.1	3.0	1,490	437	2,795	820
	1400	610205	24.3	3.5	1,738	510	3,261	956
	1600	610206	27.5	4.0	1,986	582	3,727	1093
	1800	610207	30.9	4.5	2,234	655	4,193	1230
2000	610208	34.1	5.0	2,483	728	4,659	1366	
600	400	610209	9.7	1.2	567	166	1,070	314
	600	610210	13.7	1.8	850	249	1,604	470
	800	610211	17.6	2.4	1,133	332	2,139	627
	1000	610212	21.6	3.0	1,416	415	2,674	784
	1200	610213	25.5	3.6	1,700	499	3,209	941
	1400	610214	29.4	4.2	1,983	582	3,744	1098
	1600	610215	33.4	4.8	2,266	665	4,278	1255
	1800	610216	37.6	5.4	2,549	748	4,813	1411
2000	610217	41.5	6.0	2,833	831	5,348	1568	

FLAT PANEL - T22 DOUBLE

Height	Length	Product Code	Weight KG	Water Content	Output at ΔT_{30k}		Output at ΔT_{50k}	
					Watts	BTU	Watts	BTU
300	500	610218	9.6	1.5	809	237	1,537	451
	1000	610219	17.8	3.0	1,617	474	3,074	901
	1400	610220	27.6	4.8	2,588	759	4,919	1261
	2000	610221	34.3	6.0	3,235	949	6,149	1803
400	500	610222	13.0	2.0	1,019	324	1,942	569
	600	610223	15.2	2.4	1,223	358	2,331	683
	800	610224	19.7	3.2	1,631	478	3,108	940
	1000	610225	24.0	4.0	2,039	598	3,885	1,139
	1200	610226	28.4	4.8	2,446	717	4,662	1,366
	1400	610227	32.8	5.6	2,854	836	5,439	1,595
	1600	610228	37.2	6.4	3,262	956	6,216	1,822
	1800	610229	41.8	7.2	3,670	1076	6,993	2,050
2000	610230	46.2	8.0	4,077	1195	7,770	2,277	
500	400	610231	13.3	2.0	975	286	1,863	546
	600	610232	18.7	3.0	1,463	429	2,795	820
	800	610233	24.3	4.0	1,950	572	3,726	1093
	1000	610234	29.8	5.0	2,438	715	4,658	1366
	1200	610235	35.2	6.0	2,926	858	5,589	1639
	1400	610236	43.4	7.0	3,413	1001	6,521	1912
	1600	610237	46.2	8.0	3,901	1144	7,452	2185
	1800	610238	51.9	9.0	4,389	1287	8,384	2459
2000	610239	57.5	10.0	4,876	1430	9,315	2732	
600	400	610240	15.6	2.4	1,128	331	2,161	634
	600	610241	22.3	3.6	1,692	496	3,241	950
	800	610242	29.0	4.8	2,256	662	4,321	1267
	1000	610243	35.6	6.0	2,820	827	5,402	1584
	1200	610244	42.3	7.2	3,384	992	6,482	1901
	1400	610245	48.9	8.4	3,948	1158	7,562	2218
	1600	610246	55.7	9.6	4,512	1323	8,642	2534
	1800	610247	62.6	10.8	5,077	1489	9,723	2851
2000	610248	69.3	12.0	5,641	1654	10,803	3168	
700	500	610249	22.7	3.3	1489	467	3,061	897
	600	610250	26.7	3.9	1,911	561	3,673	1,076
	800	610251	34.7	5.3	2,547	746	4,898	1,436
	1000	610252	42.7	6.7	3,184	933	6,122	1,794
	1200	610253	50.7	8.1	3,821	1120	7,346	2,153
	1400	610254	58.6	9.5	4,458	1307	8,571	2,512
	1600	610255	66.7	10.8	5,095	1493	9,795	2,871
	1800	610256	75.0	12.2	5,732	1680	11,020	3,230
2000	610257	83.1	13.6	6,369	1867	12,244	3,589	

VERTICAL FLAT PANEL RANGE

FLAT PANEL - P10

Height	Length	Product Code	Weight KG	Water Content	Output at ΔT_{30k}		Output at ΔT_{50k}	
					Watts	BTU	Watts	BTU
1600	400	600150		3.7	265	906	509	1,737
1800		600151	22.3	4.2	299	1,019	573	1,955
2000		600152	24.8	4.6	332	1,132	636	2,172
2200		600153	27.3	5.1	365	1,245	700	2,389
1600	500	600154	23.3	4.6	318	1,084	608	2,075
1800		600155	26.2	5.1	357	1,219	684	2,335
2000		600156	29.1	5.7	397	1,355	760	2,594
2200		600157	32.0	6.3	437	1,490	836	2,854
1600	600	600158	25.3	5.4	370	1,263	707	2,414
1800		600159	28.5	6.1	416	1,421	796	2,715
2000		600160	31.6	6.8	463	1,579	884	3,017
2200		600161	34.8	7.5	509	1,737	973	3,319

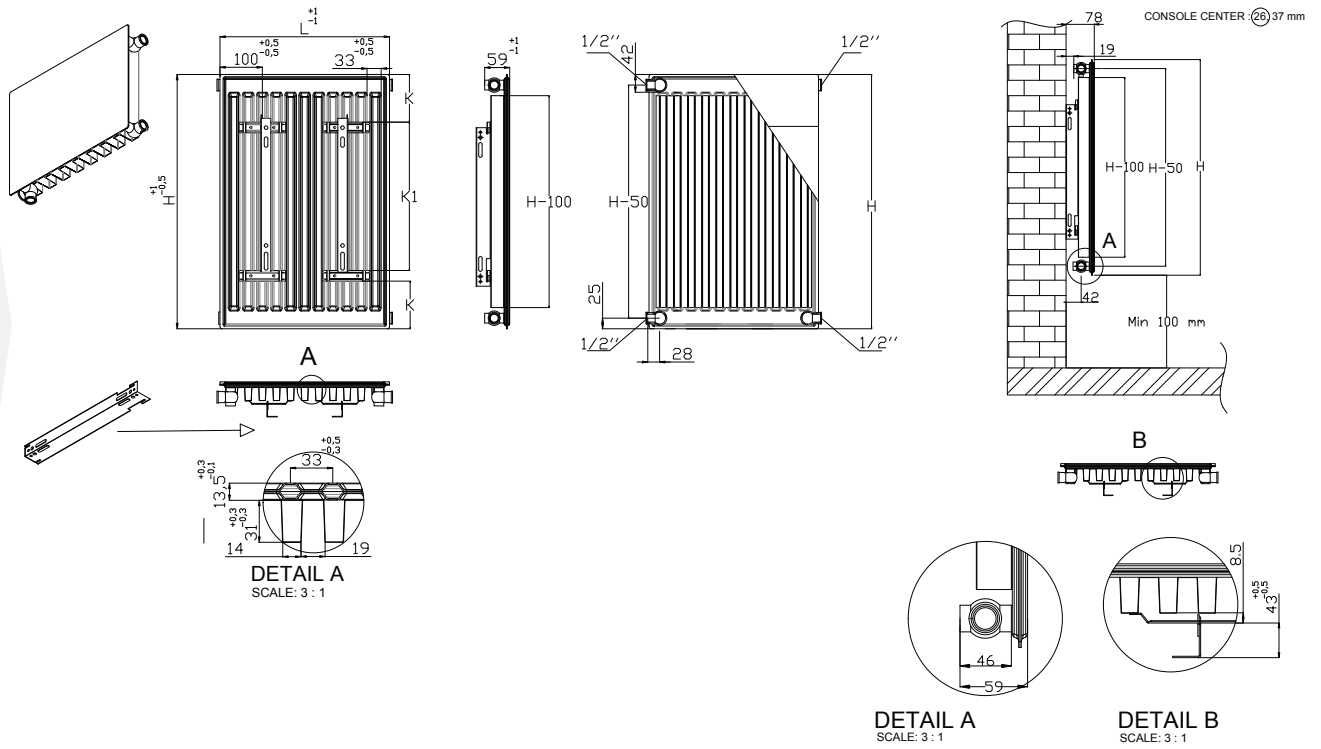
FLAT PANEL - P20

Height	Length	Product Code	Weight KG	Water Content	Output at ΔT_{30k}		Output at ΔT_{50k}	
					Watts	BTU	Watts	BTU
1600	400	600162	30.7	7.7	460	1,571	885	3,020
1800		600163	34.5	8.6	518	1,767	996	3,398
2000		600164	38.4	9.6	575	1,963	1,106	3,775
2200		600165	42.2	10.5	633	2,160	1,217	4,153
1600	500	600166	45.2	9.3	552	1,883	1,061	3,621
1800		600167	50.9	10.4	621	2,118	1,194	4,074
2000		600168	56.5	11.6	690	2,354	1,327	4,526
2200		600169	62.1	12.7	759	2,589	1,459	4,979
1600	600	600170	47.9	10.7	640	2,183	1,230	4,197
1800		600171	53.9	12.1	720	2,455	1,384	4,722
2000		600172	59.9	13.4	800	2,728	1,538	5,246
2200		600173	65.8	14.7	880	3,001	1,691	5,771

TECHNICAL DIAGRAMS

FLAT PANEL COLLECTION

TYPE 11



TYPE 22

