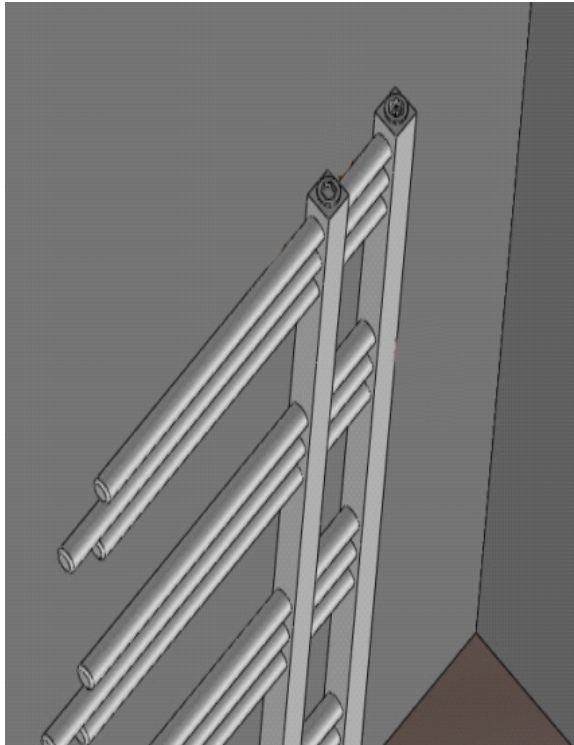


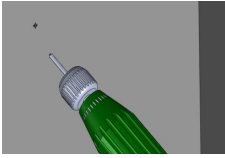
CHERTSEY



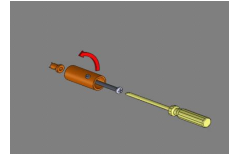
10 YEAR GUARANTEE

Tools Required

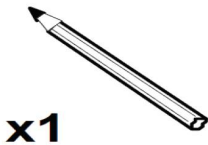
Drill



Screwdriver



Pencil



Plaster









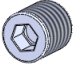

Safety

- Handle the product with care
- When drilling walls, check first hidden pipes and cables.
- Use safety eyewear when drilling.
- Keep all small parts away from children.

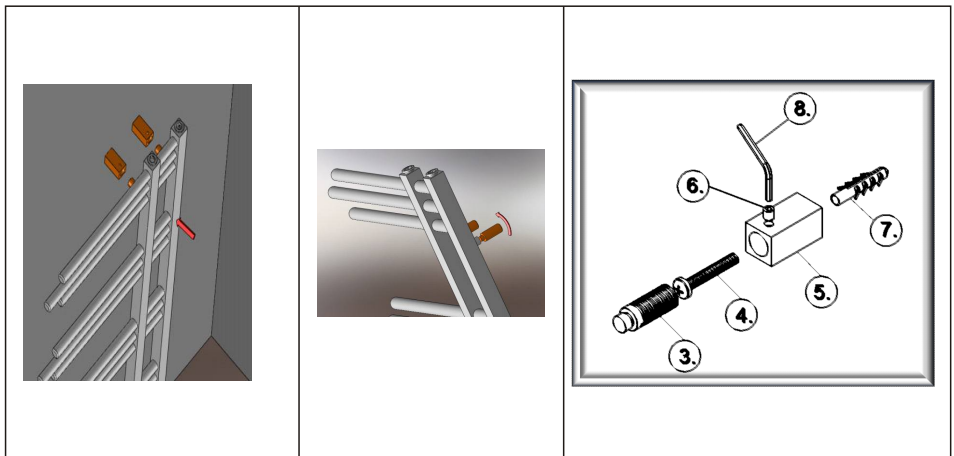
Disclaimer

- Please notify the retailer immediately of any damage or faults. The manufacturer can not be held responsible for any installation costs that may arise from damaged or faulty product being installed.
- Please dispose of all packaging with due regard to the environment.

Supplied Parts

<p>Wall Plug</p> 	<p>Wall Screw</p> 	<p>Square Bracket</p> 	<p>Care</p> 
<p>Air Vent</p> 	<p>Blank Plug</p> 	<p>Bracket Base</p> 	<p>Allen</p> 

Fitting Instructions



Care and Maintenance

Regular cleaning with a soft cloth will keep the surface of your towel warmer looking new. Soapy water can be used to remove stubborn stains and then buff dry with a soft cloth.

Do not use abrasive or chemical cleaners to clean your towel warmer as these will damage the surface finish over time.

Legal Statement

We have taken great care to ensure that this product reaches you in perfect condition. However should any parts be damaged or missing please return to point of purchase. This does not affect your statutory rights. In addition if you require replacement parts your point of purchase will be happy to assist.

